

## RA Series

### Reverse Acting Metal Bursting Discs

#### Features

- The RA4, RA6, RA8 and RAX series of bursting discs are complementary designs to cover the majority of bursting disc applications
- Low burst pressures are available with unscored designs to eliminate possible source of stress / corrosion / leakage and allow high cycle life
- Discs will withstand full vacuum conditions as standard, consult ZOOK Europe Ltd for higher back pressure applications
- Resistant to product buildup, smooth unscored convex side of dome is presented to process medium
- Non fragmenting design
- Operates up to 90% of the disc minimum rated burst pressure
- Wide range of standard and exotic materials available – consult ZOOK Europe Ltd
- Additional TFE corrosion protection linings available
- RA4, RA6, RA8 may be used in liquid or gas applications
- RAX gas service only, for this disc a gas pocket is required for liquid applications, consult ZOOK Europe Ltd
- Three dimensional stainless steel disc tag with full disc specification permanently engraved
- The RA series of discs are all designed to be used in the NEW PRE TORQUEABLE RAH type holder



RA4

Ultra Low Pressure



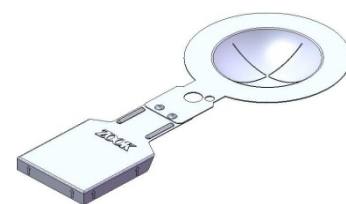
RA6

Low Pressure



RA8

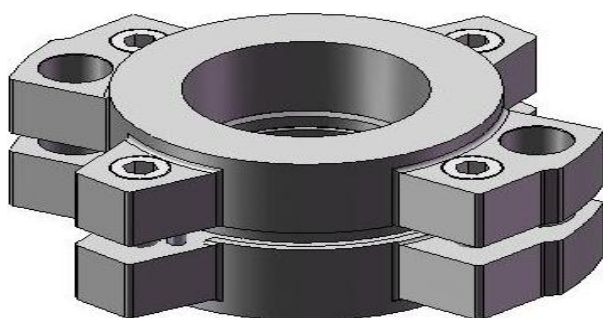
Medium Pressure



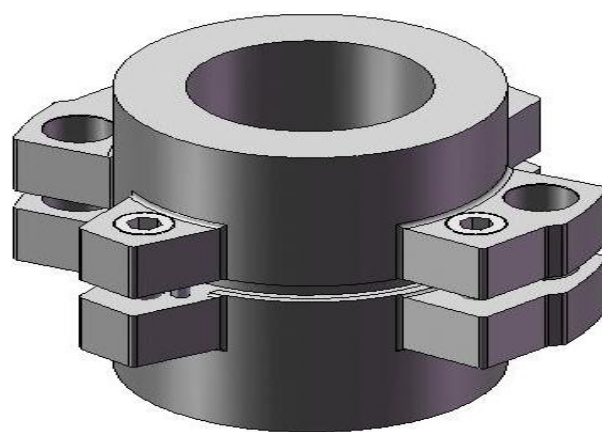
RAX

High Pressure

#### NEW RAH Pre-Torque Disc Holders



Standard RAH pre-torque Disc Holder



Long Pattern RAH pre-torque Disc Holder

- NEW RAH Pre Torque holder design allows disc and holder to be pre-assembled
- Disc and holder assembly can be removed complete for inspection of the disc
- Flexible system fits most pipework types, available in custom heights to suit most installations
- Bubble tight metal to metal bite ring seal even for low strength flanges – ideal for glass or plastic flanges
- See RAH holder datasheet for more details

# RA SERIES MIN/MAX BURST RATINGS

RA4 Disc Size	With Liner RA4-L	Minimum Burst Pressures (Barg @ 22°C)								Maximum Burst Pressure		MNFA (cm <sup>2</sup> )		
		316ss		Inconel		Monel		Nickel		Liquid	Gas			
		Liquid	Gas	Liquid	Gas	Liquid	Gas	Liquid	Gas					
1" / 25mm	1.24	0.90	0.90	<b>CONSULT ZOOK EUROPE LTD</b>								2.76	2.76	5.55
1 ½" / 40mm	0.97	0.62	0.62									1.72	1.72	10.52
2" / 50mm	0.55	0.41	0.41									1.72	1.72	17.94
3" / 80mm	0.48	0.28	0.28									1.72	1.72	36.71
4" / 100mm	0.34	0.21	0.21									1.38	1.38	61.35
6" / 150mm	0.21	0.14	0.14									1.24	1.24	125.55
8" / 200mm	0.21	0.14	0.14									1.24	1.24	214.97
10" / 250mm	0.21	0.14	0.14									0.97	0.97	327.61
12" / 300mm	0.21	0.14	0.14									0.97	0.97	463.16

RA6 Disc Size	With Liner RA6-L	Minimum Burst Pressures (Barg @ 22°C)								Maximum Burst Pressure		MNFA (cm <sup>2</sup> )
		316ss		Inconel		Monel		Nickel		Liquid	Gas	
		Liquid	Gas	Liquid	Gas	Liquid	Gas	Liquid	Gas			
1" / 25mm	2.34	1.79	1.79	1.79	1.79	1.79	1.79	1.79	1.79	13.79	9.93	5.55
1 ½" / 40mm	1.38	1.52	1.52	1.38	1.38	1.38	1.38	1.38	1.38	11.52	8.28	12.90
2" / 50mm	1.24	1.38	1.38	1.24	1.24	1.24	1.24	1.24	1.24	8.14	6.90	21.68
3" / 80mm	1.10	1.24	1.24	1.10	1.10	1.10	1.10	1.10	1.10	4.69	4.48	46.77
4" / 100mm	0.97	1.10	1.10	0.97	0.97	0.97	0.97	0.97	0.97	4.76	3.79	80.84
6" / 150mm	0.83	0.97	0.97	0.83	0.83	0.83	0.83	0.83	0.83	4.62	3.10	171.55
8" / 200mm	0.83	0.83	0.83	0.83	0.83	0.83	0.83	0.83	0.83	3.72	2.41	293.42
10" / 250mm	0.83	0.83	0.83	0.83	0.83	0.83	0.83	0.83	0.83	3.17	2.07	453.22
12" / 300mm	0.83	0.83	0.83	0.83	0.83	0.83	0.83	0.83	0.83	2.62	1.79	634.39

RA8 Disc Size	With Liner RA8-L	Minimum Burst Pressures (Barg @ 22°C)								Maximum Burst Pressure		MNFA (cm <sup>2</sup> )
		316ss		Inconel		Monel		Nickel		Liquid	Gas	
		Liquid	Gas	Liquid	Gas	Liquid	Gas	Liquid	Gas			
1" / 25mm	9.93	13.79	9.93	13.79	9.93	13.79	9.93	13.79	9.93	68.97	49.66	5.55
1 ½" / 40mm	8.28	11.52	8.28	11.52	8.28	11.52	8.28	11.52	8.28	68.97	49.66	12.90
2" / 50mm	6.90	8.14	6.90	8.14	6.90	8.14	6.90	8.14	6.90	58.62	49.66	21.68
3" / 80mm	4.48	4.69	4.48	4.69	4.48	4.69	4.48	4.69	4.48	29.31	19.66	46.77
4" / 100mm	3.79	4.76	3.79	4.76	3.79	4.76	3.79	4.76	3.79	29.31	19.66	80.84
6" / 150mm	3.10	4.62	3.10	4.62	3.10	4.62	3.10	4.62	3.10	24.14	15.52	171.55
8" / 200mm	2.41	3.72	2.41	3.72	2.41	3.72	2.41	3.72	2.41	20.69	12.41	293.42
10" / 250mm	2.07	3.17	2.07	3.17	2.07	3.17	2.07	3.17	2.07	10.34	6.90	454.97
12" / 300mm	1.79	2.62	1.79	2.62	1.79	2.62	1.79	2.62	1.79	7.59	5.17	634.39

RAX Disc Size	With Liner RAX-L	Minimum Burst Pressures (Barg @ 22°C)								Maximum Burst Pressure		MNFA (cm <sup>2</sup> )
		316ss		Inconel		Monel		Nickel		Liquid	Gas	
		GAS SERVICE DISC ONLY, FOR LIQUID APPLICATIONS A GAS POCKET IS REQUIRED BELOW THE DISC - CONSULT ZOOK EUROPE LTD										
1" / 25mm	6.34	15.24	9.72	8.41	6.34	68.97	5.55					
1 ½" / 40mm	5.59	16.14	6.76	6.76	5.59	68.97	13.21					
2" / 50mm	4.14	12.97	5.72	5.72	4.14	68.97	21.68					
3" / 80mm	3.79	10.62	4.55	4.48	3.79	68.97	47.68					
4" / 100mm	2.76	8.41	3.72	3.79	3.31	55.17	82.13					
6" / 150mm	2.41	6.48	3.24	3.03	2.41	55.17	192.84					
8" / 200mm	2.28	♦	3.03	2.83	2.28	48.28	322.77					
10" / 250mm	2.07	♦	2.76	2.69	2.07	48.28	508.71					
12" / 300mm	1.86	♦	2.55	2.48	1.86	41.38	722.58					

Maximum Temperature	260°C	482°C	482°C	482°C	399°C	♦ For materials, sizes burst ratings and temperatures not shown please consult ZOOK Europe Ltd
---------------------	-------	-------	-------	-------	-------	--



**ZOOK EUROPE LTD**  
 Unit 1.14 and 1.16, The Great House  
 Waterside Business Park Rotherham Road  
 Dinnington Sheffield UK S25 3QA

Tel +44 (0) 1909 560999  
 Fax +44 (0) 1909 560860  
 E mail [zookeurope@zook.cc](mailto:zookeurope@zook.cc)  
 Web [www.zook.cc](http://www.zook.cc)